

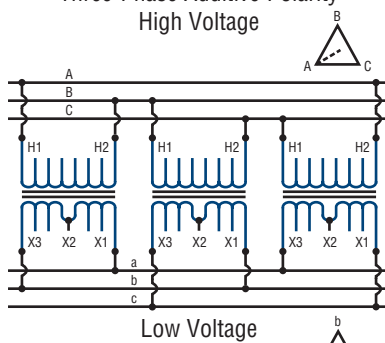


TRANSFORMER CONNECTIONS

Series Connections of Low-Voltage Windings

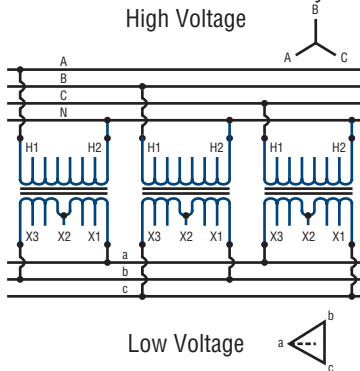
Delta-Delta

Three-Phase Additive Polarity
High Voltage



Star-Delta

Three-Phase Additive Polarity
High Voltage

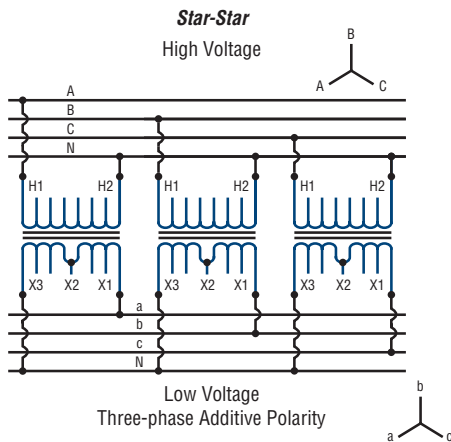
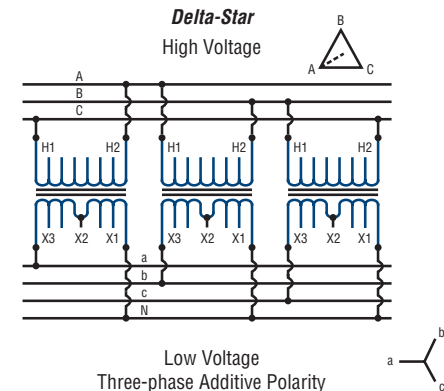


Note: Single-phase transformers should be thoroughly checked for impedance, polarity, and voltage ratio before installation.



TRANSFORMER CONNECTIONS

Series Connections of Low-Voltage Windings

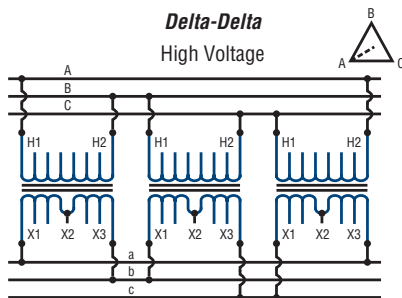


Note: For additive polarity the H1 and the X1 bushings are diagonally opposite each other.

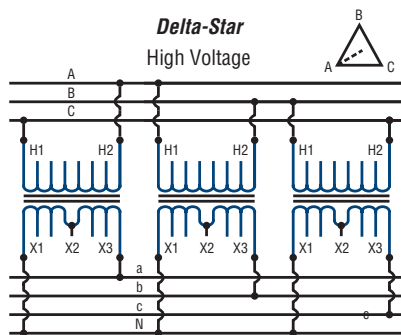


TRANSFORMER CONNECTIONS

Series Connections of Low-Voltage Windings



Low Voltage
Three-phase Subtractive Polarity



Low Voltage
Three-phase Subtractive Polarity

Note: For subtractive polarity the H1 and the X1 bushings are directly opposite each other.