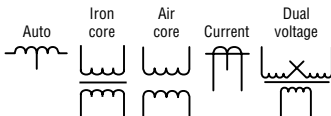
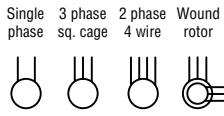
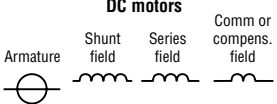
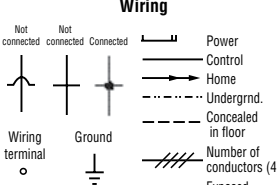
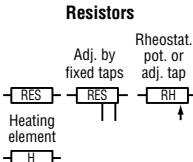
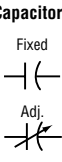
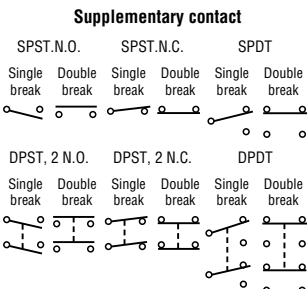
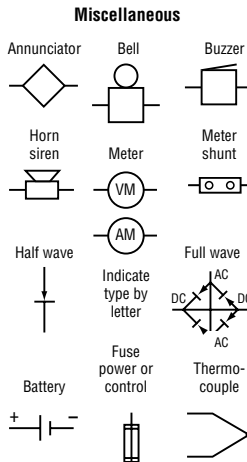


ELECTRICAL SYMBOLS

<h3>Transformers</h3> <p>Auto Iron core Air core Current Dual voltage</p> 				<h3>AC motors</h3> <p>Single phase 3 phase sq. cage 2 phase 4 wire Wound rotor</p> 					
<h3>DC motors</h3> <p>Armature Shunt field Series field Comm or compens. field</p> 			<h3>Wiring</h3> <p>Not connected Not connected Connected</p>  <p>* No. of arrows = no of circuits</p>						
<h3>Resistors</h3> <p>Adj. by fixed taps Rheostat. pot. or adj. tap</p>  <p>Heating element</p>		<h3>Capacitors</h3> <p>Fixed Adj.</p> 			<h3>Connections</h3> <p>Mechanical ----- Mechanical interlock - - - - -</p>				
<h3>Supplementary contact</h3> <p>SPST.N.O. SPST.N.C. SPDT</p> <p>Single break Double break Single break Double break Single break Double break</p>  <p>DPST, 2 N.O. DPST, 2 N.C. DPDT</p> <p>Single break Double break Single break Double break Single break Double break</p>					<h3>Miscellaneous</h3> <p>Annunciator Bell Buzzer</p>  <p>Horn siren Meter Meter shunt</p> <p>Half wave Full wave</p> <p>Indicate type by letter</p> <p>Fuse power or control Thermo-couple</p> <p>Battery</p> <p>+ -</p>				
<h3>Terms</h3> <p>SPST—Single pole single throw DPDT—Double pole double throw</p> <p>SPDT—Single pole double throw N.O.—Normally open</p> <p>DPST—Double pole single throw N.C.—Normally closed</p>									