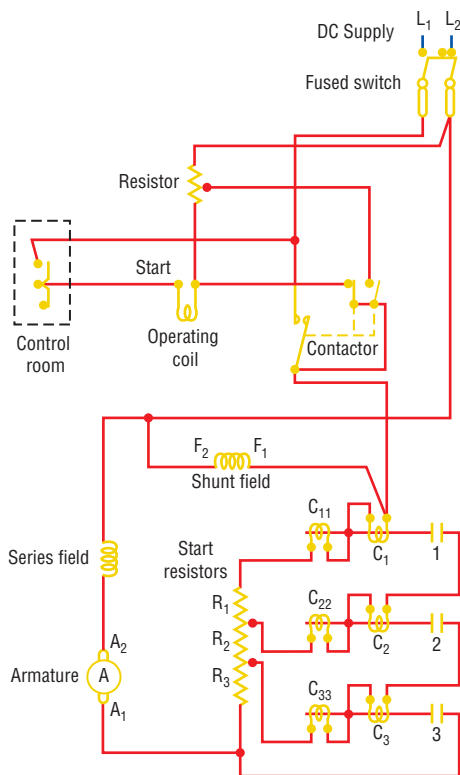




COUNTER-EMF STARTING

DC Motors



A counter-EMF opposes any change in current flow and is used to reduce high-starting currents.