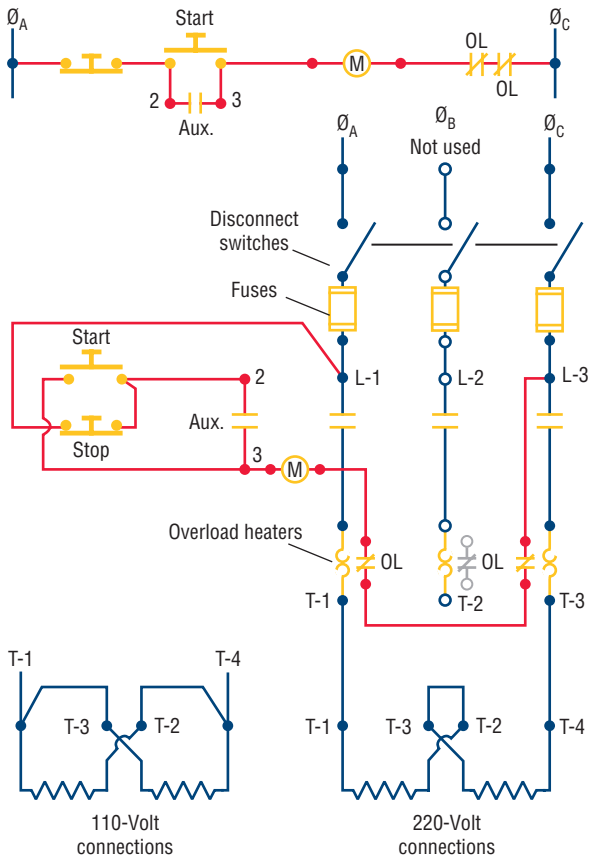





SINGLE-PHASE MOTOR USING STANDARD THREE-PHASE STARTER



 = Motor starter coil